



gatonbrass

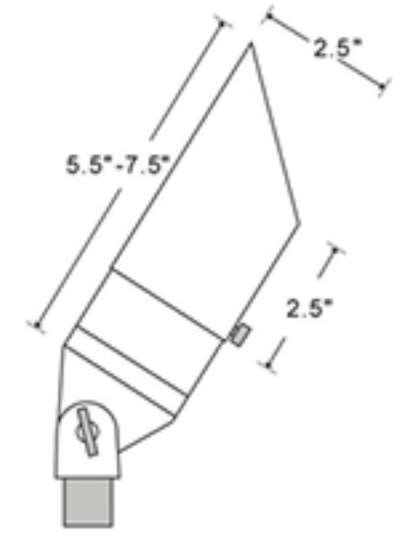
Brass Landscape Lighting Fixtures

Experts of brass die casting, brass forging,
lost wax casting, sand casting and milling

86-186-6785-1978
sales@gatonbrass.com
Zhongshan, Guangdong, China



S 01



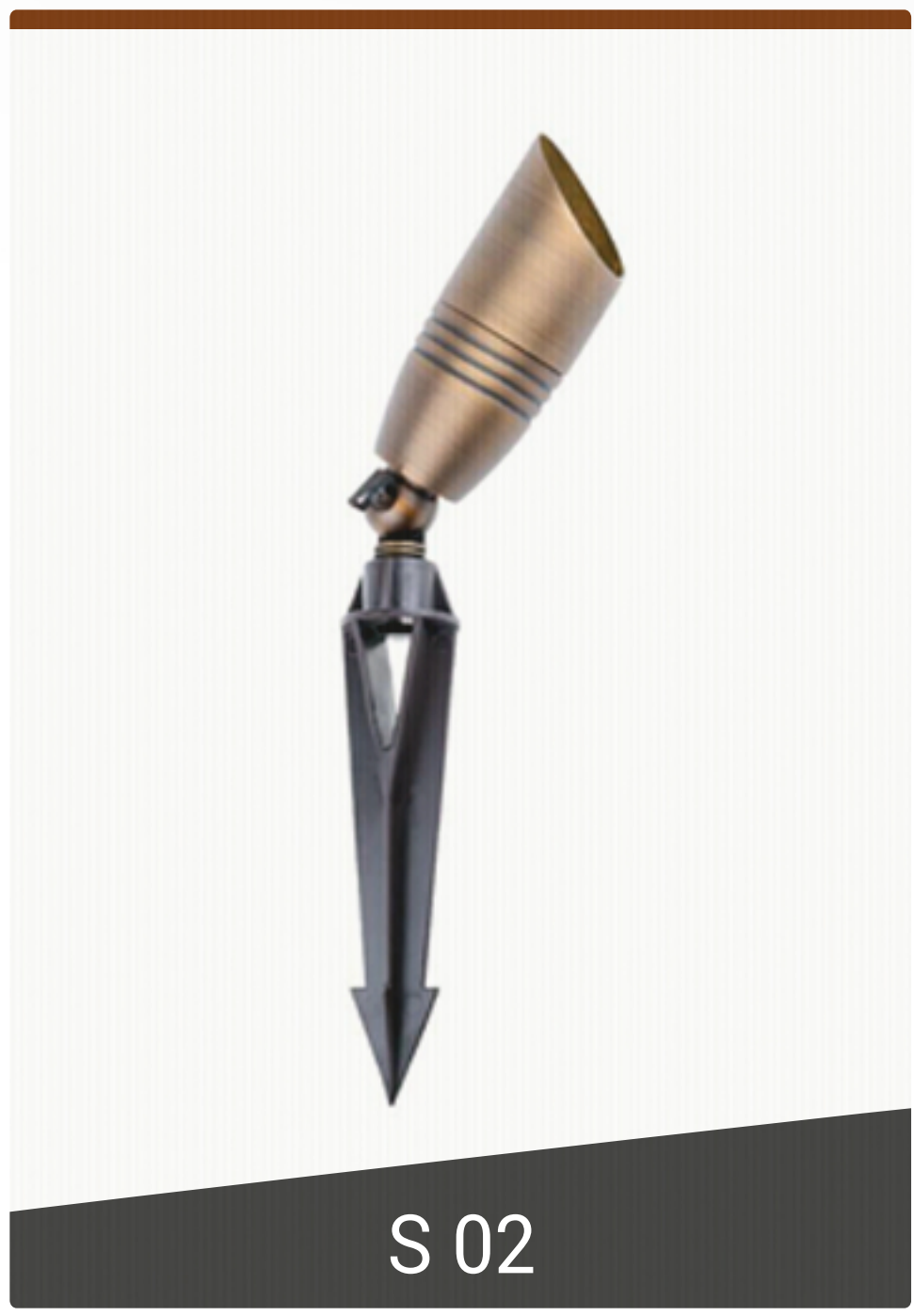
Product Dimensions

Product Dimensions

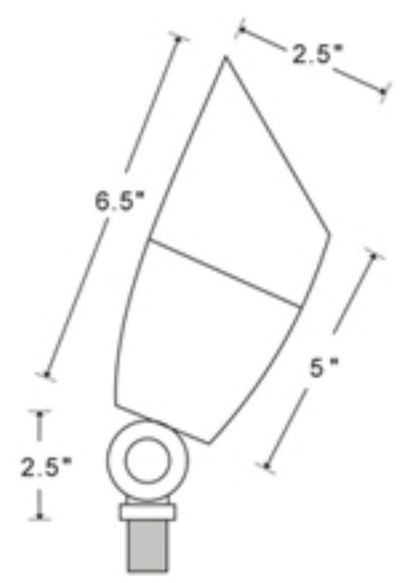
- Construction: Solid Brass or Solid Copper
- Finish: Bronze
- Lead Wire: 40" (standard) UL SPT2-18AWG, premium tinned copper
- Mounting: 9" Brown PVC Stake
- Glass or Lens: Clear Convex Lens
- Light Source (not included): MR16 (LED or Halogen)
- Maximum Lamp Rating: 50W
- Recommended Lamp Rating: 20-35W
- Operating Voltage: 12V AC
- Fully adjustable glare guard

Lamp Options

MR16	7W,CREECOB,GU5.3,40°,3000K, 12V,white,dimmable,cULus&Energy star rated
MR16	7W,AC/DC,12V,60Hz,7W,600mA,2700K-40°-DIM,dimmable, cULus&Energy star rated
MR16	6.5W,CREE XBD,3000K,12VAC/DC,60°
MR16	5W,CREE GU5.3,12V,3000K, 60°,white,limited-dimmable,white, cULus listed
MR16	3.6W,CREE XBD,3000K,12VAC/DC,60°



S 02



Product Dimensions

Product Specifications

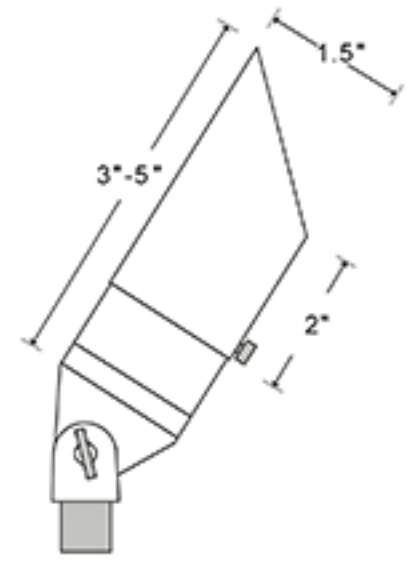
- Construction: Cast Brass
- Finish: Bronze
- Lead Wire: 40" (standard) UL SPT2-18AWG, premium tinned copper
- Mounting: 9" Brown PVC Stake
- Glass or Lens: Clear Convex Lens
- Light Source (not included): MR16 (LED or Halogen)
- Maximum Lamp Rating: 50W
- Recommended Lamp Rating: 20-35W
- Operating Voltage: 12V AC

Lamp Options

MR16	7W,CREECOB,GU5.3,40°,3000K, 12V,white,dimmable,cULus&Energy star rated
MR16	7W,AC/DC,12V,60Hz,7W,600mA,2700K-40°-DIM,dimmable, cULus&Energy star rated
MR16	6.5W,CREE XBD,3000K,12VAC/DC,60°
MR16	5W,CREE GU5.3,12V,3000K, 60°,white,limited-dimmable,white, cULus listed
MR16	3.6W,CREE XBD,3000K,12VAC/DC,60°



S 03



Product Dimensions

Product Specifications

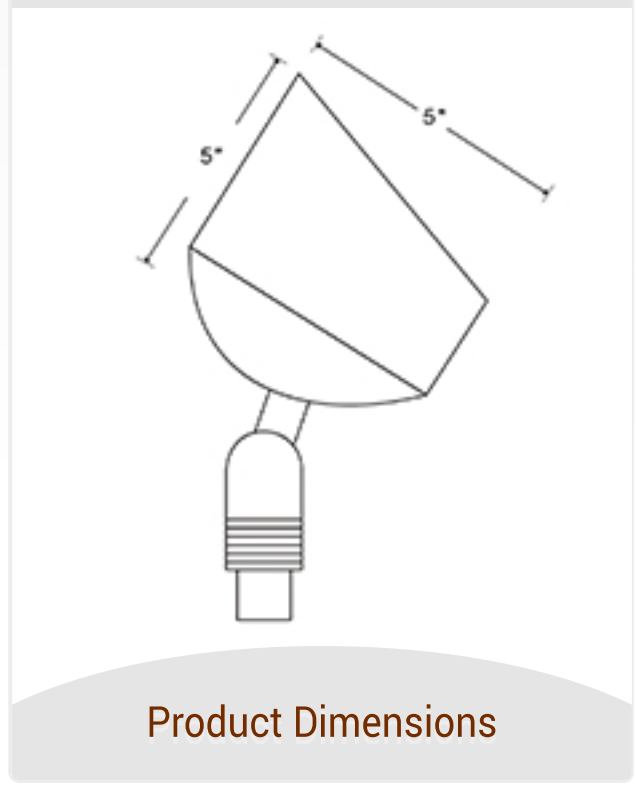
- Construction: Solid Brass or Solid Copper
- Finish: Bronze
- Lead Wire: 40" (standard) UL SPT2-18AWG, premium tinned copper
- Mounting: 9" Brown PVC Stake
- Glass or Lens: Clear Glass
- Light Source (not included): MR16 (LED or Halogen)
- Maximum Lamp Rating: 50W
- Recommended Lamp Rating: 20-35W
- Operating Voltage: 12V AC

Lamp Options

MR16	7W,CREECOB,GU5.3,40°,3000K, 12V,white,dimmable,cULus&Energy star rated
MR16	7W,AC/DC,12V,60Hz,7W,600mA,2700K-40°-DIM,dimmable, cULus&Energy star rated
MR16	6.5W,CREE XBD,3000K,12VAC/DC,60°
MR16	5W,CREE GU5.3,12V,3000K, 60°,white,limited-dimmable,white, cULus listed
MR16	3.6W,CREE XBD,3000K,12VAC/DC,60°



F 02



Product Dimensions

Product Specifications

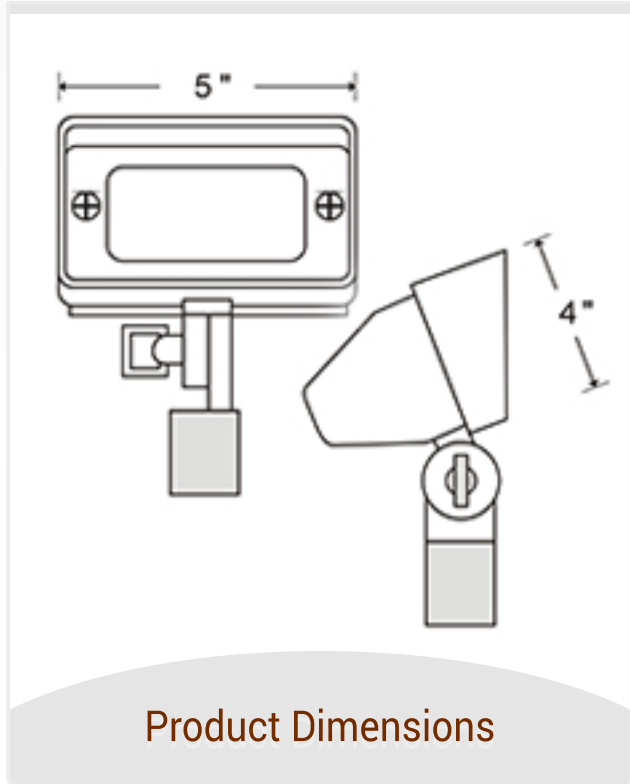
- Construction: Solid Cast Brass
- Finish: Bronze
- Lead Wire: 40" (standard) UL SPT2-18AWG, premium tinned copper
- Mounting: 9" Brown PVC Stake
- Glass or Lens: Clear Glass
- Light Source (not included): PAR36 (LED or Halogen)
- Maximum Lamp Rating: 35W
- Operating Voltage: 12V AC

Lamp Options

PAR36	10W,CREE XBD,3000K,12/24VAC/DC,60°
PAR36	13W,CREE XBD,3000K,12/24VAC/DC,60°
PAR36	17W,CREE XBD,3000K,12/24VAC/DC,60°



F 03



Product Dimensions

Product Specifications

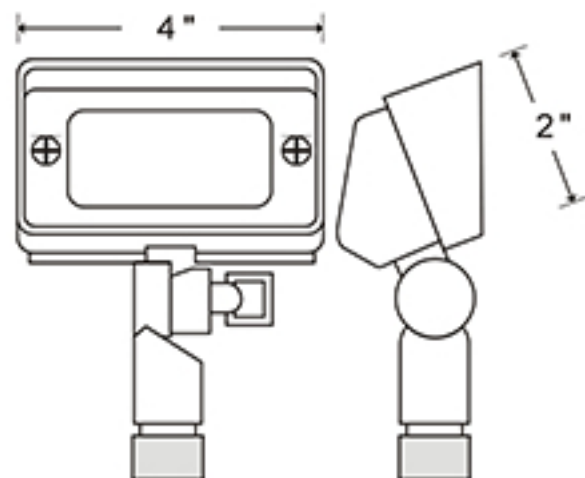
- Construction: Cast Brass
- Finish: Bronze
- Lead Wire: 40" (standard) UL SPT2-18AWG, premium tinned copper
- Mounting: 9" Brown PVC Stake
- Glass or Lens: Comes with 3 lens (frosted, linear spread, clear)
- Light Source (not included): Bipin (LED or Halogen)
- Maximum Lamp Rating: 20W
- Operating Voltage: 12V AC

Lamp Options

Bipin	3W,3000K,12VAC/DC,SMD
Bipin	2W,3000K,12VAC/DC,SMD



F 04



Product Dimensions

Product Specifications

Construction: Cast Brass

Finish: Bronze

Lead Wire: 40" (standard) UL SPT2-18AWG, premium tinned copper

Mounting: 9" Brown PVC Stake

Glass or Lens: Comes with 3 lens (frosted, linear spread, clear)

Light Source (not included): Bipin (LED or Halogen)

Maximum Lamp Rating: 20W

Operating Voltage: 12V AC

Lamp Options

Bipin	3W,3000K,12VAC/DC,SMD
Bipin	2W,3000K,12VAC/DC,SMD



W01 & W02 & W03



Product Dimensions



Product Specifications

Construction: Cast Brass and PVC

Finish: Bronze

Lead Wire: 40" (standard) UL
H03VV-F3*0.75mm²

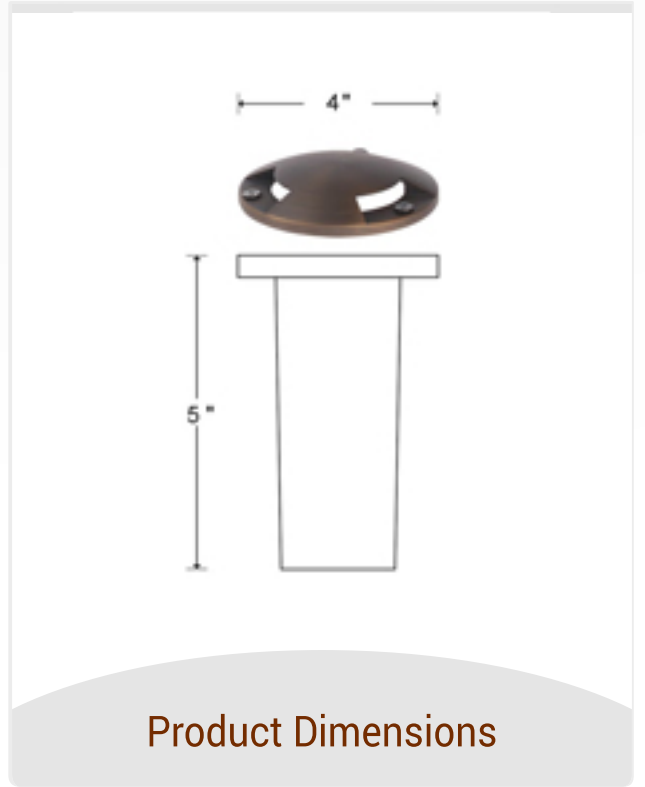
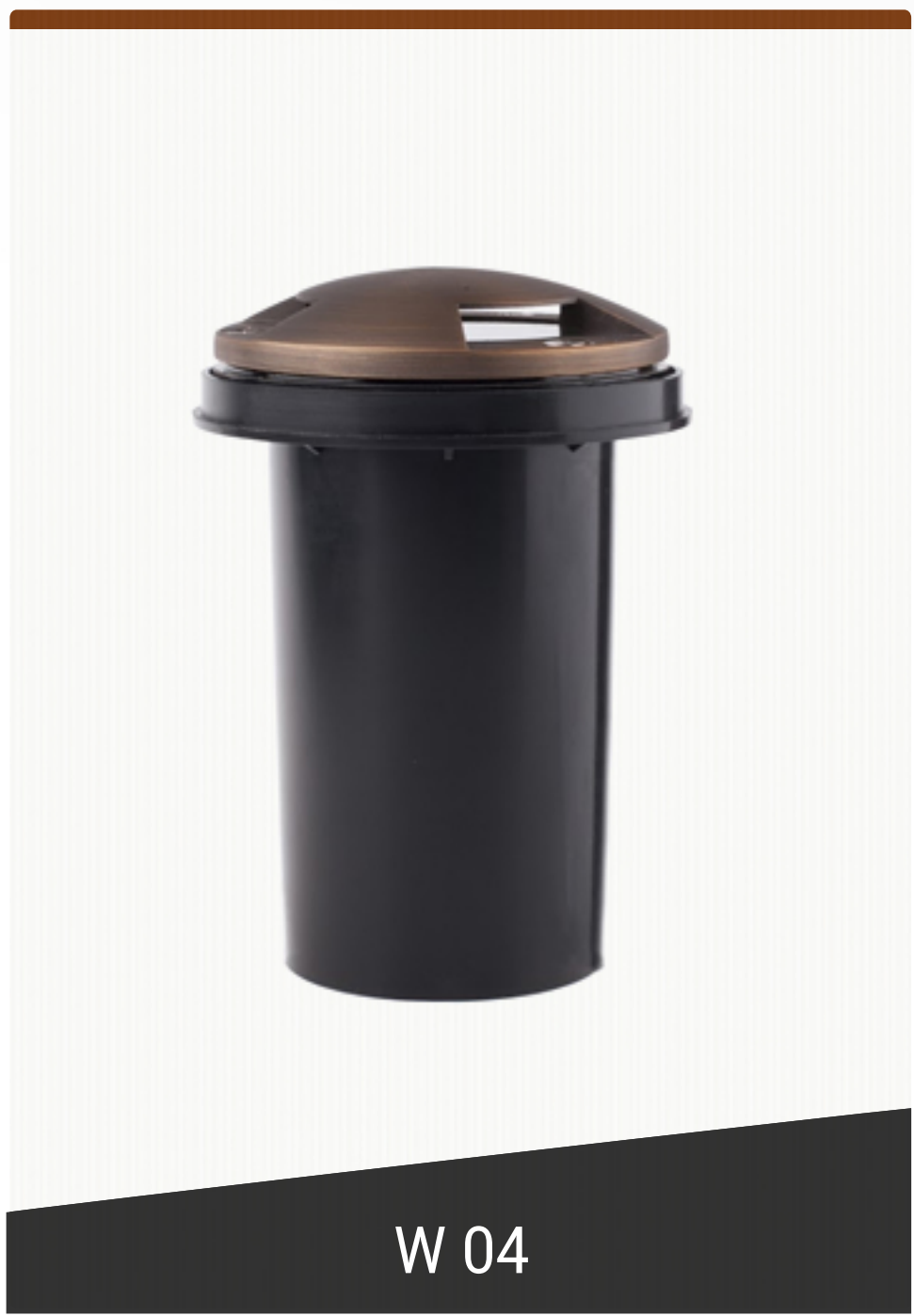
Light Source (not included): MR16 (LED or Halogen)

Maximum Lamp Rating: 35W

Operating Voltage: 12V AC

Lamp Options

MR16	7W,CREECOB,GU5.3,40°,3000K, 12V,white,dimmable,cULus&Energy star rated
MR16	7W,AC/DC,12V,60Hz,7W,600mA,2700K-40°-DIM,dimmable, cULus&Energy star rated
MR16	6.5W,CREE XBD,3000K,12VAC/DC,60°
MR16	5W,CREE GU5.3,12V,3000K, 60°,white,limited-dimmable,white, cULus listed
MR16	3.6W,CREE XBD,3000K,12VAC/DC,60°



Product Dimensions

Construction: Cast Brass and PVC

Finish: Bronze

Lead Wire: 40" (standard) UL SPT2-18AWG, premium tinned copper

Light Source (not included): MR16 (LED or Halogen)

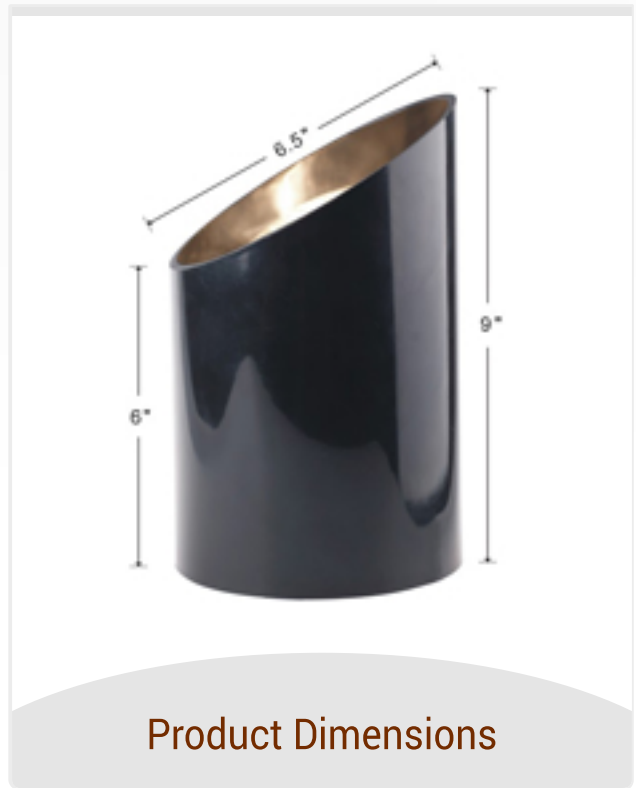
Maximum Lamp Rating: 50W

Recommended Lamp Rating: 35W

Operating Voltage: 12V AC

Lamp Options

MR16	7W,CREECOB,GU5.3,40°,3000K, 12V,white,dimmable,cULus&Energy star rated
MR16	7W,AC/DC,12V,60Hz,7W,600mA,2700K-40°-DIM,dimmable, cULus&Energy star rated
MR16	6.5W,CREE XBD,3000K,12VAC/DC,60°
MR16	5W,CREE GU5.3,12V,3000K, 60°,white,limited-dimmable,white, cULus listed
MR16	3.6W,CREE XBD,3000K,12VAC/DC,60°



Product Dimensions

Product Dimensions

- Construction: Reversible PVC Tube
- Finish: Black
- Lead Wire: 40" (standard) UL SPT2-18AWG, premium tinned copper
- Light Source (not included): PAR36 (LED or Halogen)
- Recommended Lamp Rating: 35W
- Operating Voltage: 12V AC

Lamp Options

PAR36	10W,CREE XBD,3000K,12/24VAC/DC,60°
PAR36	13W,CREE XBD,3000K,12/24VAC/DC,60°
PAR36	17W,CREE XBD,3000K,12/24VAC/DC,60°



Product Dimensions

Construction: Cast Brass and PVC

Finish: Black

Lead Wire: 40" (standard) UL SPT2-18AWG, premium tinned copper

Glass or Lens: Clear Tempered glass

Light Source (not included): PAR36 (LED or Halogen)

Recommended Lamp Rating: 35W

Operating Voltage: 12V AC

Lamp Options

PAR36	10W,CREE XBD,3000K,12/24VAC/DC,60°
PAR36	13W,CREE XBD,3000K,12/24VAC/DC,60°
PAR36	17W,CREE XBD,3000K,12/24VAC/DC,60°



W 07



Product Dimensions

Product Dimensions

Construction: Cast Brass and PVC

Finish: Black

Lead Wire: 40" (standard) UL SPT2-18AWG, premium tinned copper

Glass or Lens: Clear Tempered glass

Light Source (not included): PAR36 (LED or Halogen)

Recommended Lamp Rating: 35W

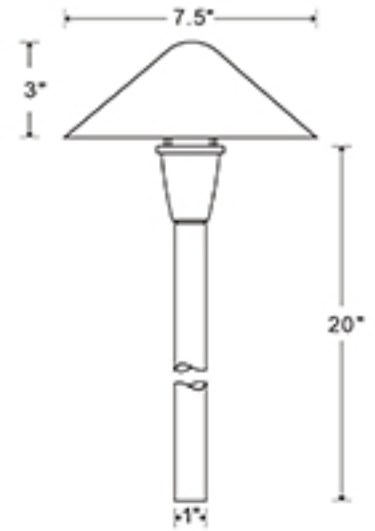
Operating Voltage: 12V AC

Lamp Options

PAR36	10W,CREE XBD,3000K,12/24VAC/DC,60°
PAR36	13W,CREE XBD,3000K,12/24VAC/DC,60°
PAR36	17W,CREE XBD,3000K,12/24VAC/DC,60°



P 01



P 01 Dimensions

Product Specifications

Construction: Cast Brass

Finish: Bronze

Lead Wire: 40" (standard) UL SPT2-18AWG, premium tinned copper

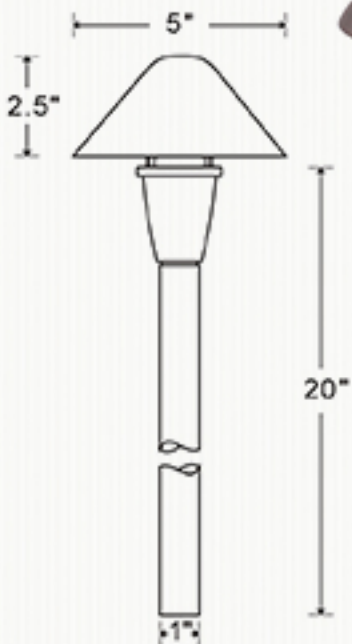
Mounting: 9" Brown PVC Stake

Glass or Lens: Comes with 2 lens (frosted,clear)

Light Source (not included): Bi-Pin (LED or Halogen)

Maximum Lamp Rating: 20W

Operating Voltage: 12V AC



P 01 MINI

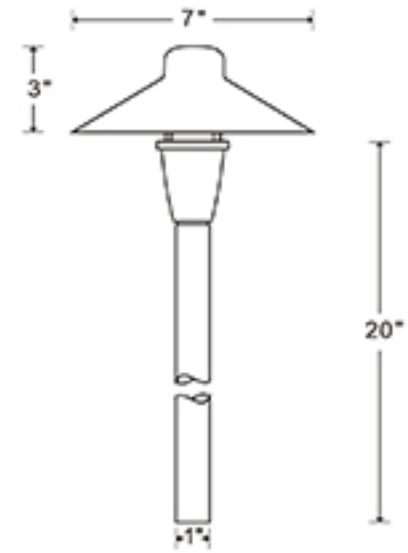
Lamp Options

Bipin	3W,3000K,12VAC/DC,SMD
-------	-----------------------

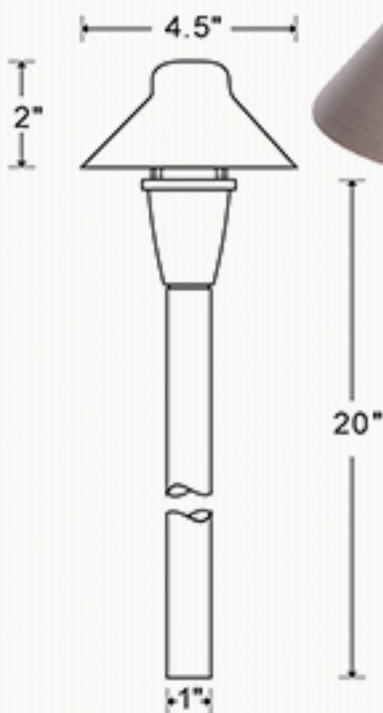
Bipin	2W,3000K,12VAC/DC,SMD
-------	-----------------------



P 02



P 02 Dimensions



P 02 MINI

Product Specifications

Construction: Cast Brass

Finish: Bronze

Lead Wire: 40" (standard) UL SPT2-18AWG, premium tinned copper

Mounting: 9" Brown PVC Stake

Glass or Lens: Comes with 2 lens (frosted,clear)

Light Source (not included): Bi-Pin (LED or Halogen)

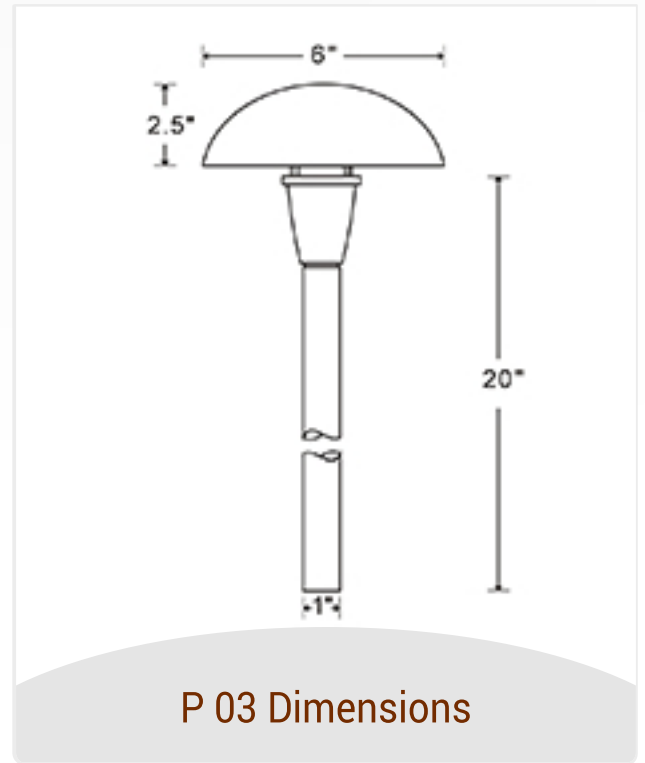
Maximum Lamp Rating: 20W

Operating Voltage: 12V AC

Lamp Options

Bipin	3W,3000K,12VAC/DC,SMD
-------	-----------------------

Bipin	2W,3000K,12VAC/DC,SMD
-------	-----------------------



Product Specifications

Construction: Cast Brass

Finish: Bronze

Lead Wire: 40" (standard) UL SPT2-18AWG, premium tinned copper

Mounting: 9" Brown PVC Stake

Glass or Lens: Comes with 2 lens (frosted,clear)

Light Source (not included): Bi-Pin (LED or Halogen)

Maximum Lamp Rating: 20W

Operating Voltage: 12V AC

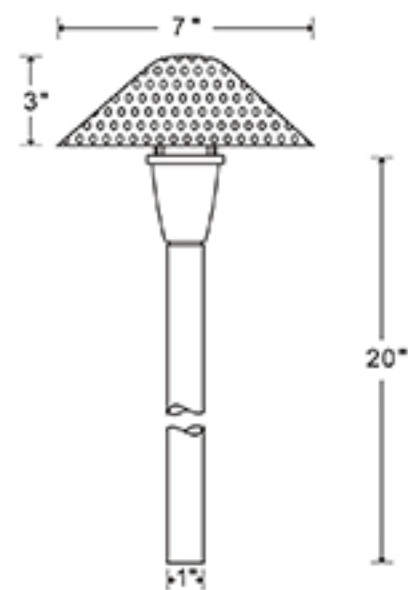


Lamp Options

Bipin	3W,3000K,12VAC/DC,SMD
Bipin	2W,3000K,12VAC/DC,SMD



P 04



P 04 Dimensions

Product Specifications

Construction: Cast Brass

Finish: Bronze

Lead Wire: 40" (standard) UL SPT2-18AWG, premium tinned copper

Mounting: 9" Brown PVC Stake

Glass or Lens: Comes with 2 lens (frosted,clear)

Light Source (not included): Bi-Pin (LED or Halogen)

Maximum Lamp Rating: 20W

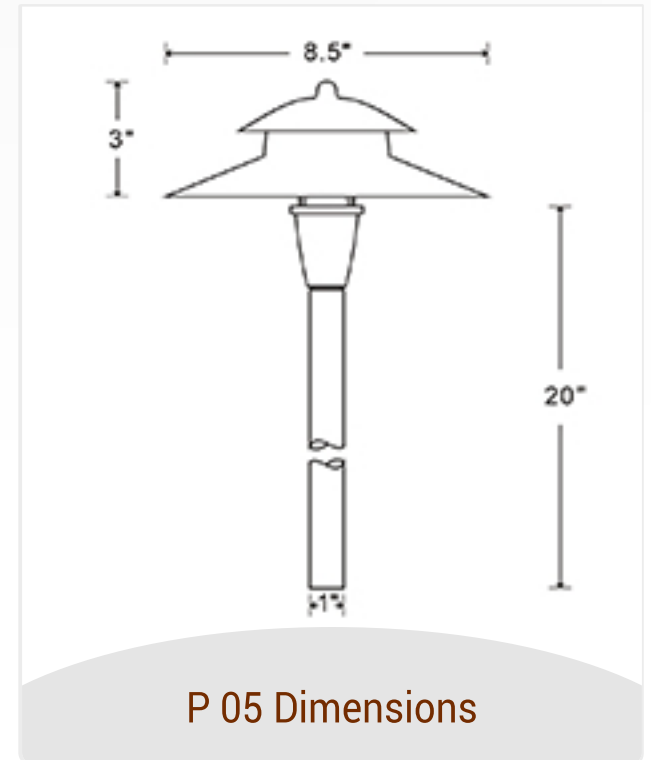
Operating Voltage: 12V AC



P 04 MINI

Lamp Options

Bipin	3W,3000K,12VAC/DC,SMD
Bipin	2W,3000K,12VAC/DC,SMD

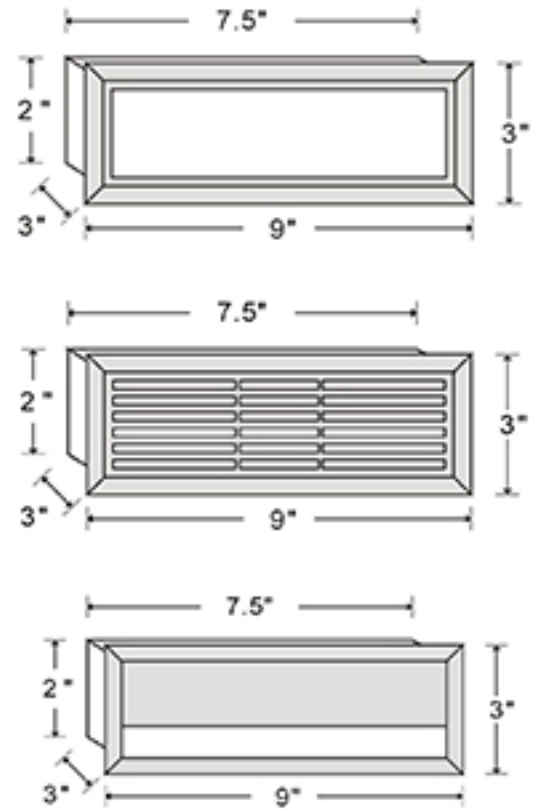


Product Specifications

- Construction: Cast Brass
- Finish: Bronze
- Lead Wire: 40" (standard) UL SPT2-18AWG, premium tinned copper
- Mounting: 9" Brown PVC Stake
- Glass or Lens: Comes with 2 lens (frosted,clear)
- Light Source (not included): Bi-Pin (LED or Halogen)
- Maximum Lamp Rating: 20W
- Operating Voltage: 12V AC

Lamp Options

Bipin	3W,3000K,12VAC/DC,SMD
Bipin	2W,3000K,12VAC/DC,SMD



Product Dimensions

Product Specifications

Construction: Cast Brass and PVC

Finish: Bronze

Lead Wire: 40" (standard) UL SPT2-18AWG, premium tinned copper

Glass or Lens: Frosted glass lens

Light Source (not included): Bipin (LED or Halogen)

Maximum Lamp Rating: 35W

Operating Voltage: 12V AC

Lamp Options

Bipin	3W,3000K,12VAC/DC,SMD
Bipin	2W,3000K,12VAC/DC,SMD



D 01

← 2" →



3.5"

D 01 Dimensions

Product Specifications

Construction: Cast Brass

Finish: Bronze

Lead Wire: 40" (standard) UL SPT2-18AWG, premium tinned copper

Mounting: Two Lock Screws

Glass or Lens: Frosted Glass

Light Source (not included): Bi-Pin (LED or Halogen)

Maximum Lamp Rating: 20W

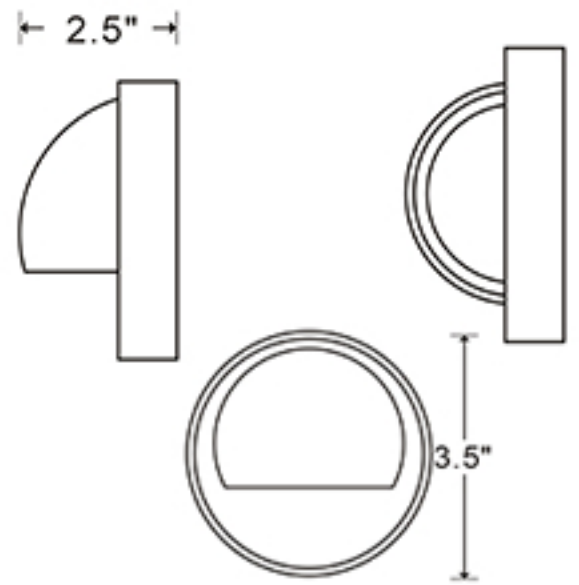
Operating Voltage: 12V AC

Lamp Options

Bipin	3W,3000K,12VAC/DC,SMD
Bipin	2W,3000K,12VAC/DC,SMD



D 02



D 02 Dimensions

Product Specifications

Construction: Cast Brass

Finish: Bronze

Lead Wire: 40" (standard) UL SPT2-18AWG, premium tinned copper

Mounting: Two Lock Screws

Glass or Lens: Frosted Glass

Light Source (not included): Bi-Pin (LED or Halogen)

Maximum Lamp Rating: 20W

Operating Voltage: 12V AC

Lamp Options

Bipin	3W,3000K,12VAC/DC,SMD
Bipin	2W,3000K,12VAC/DC,SMD



U 01



Product Dimensions

Product Specifications

Construction: Cast Brass

Finish: Bronze

Lead Wire: 40" (standard) UL SPT2-18AWG, premium tinned copper

Mounting: Two Lock Screws

Glass or Lens: Clear Glass

Light Source (not included): Bipin (LED or Halogen)

Maximum Lamp Rating: 50W

Operating Voltage: 12V AC

Lamp Options

Bipin	3W,3000K,12VAC/DC,SMD
Bipin	2W,3000K,12VAC/DC,SMD



Description	
Bipin	3W,3000K,12VAC/DC,SMD
Bipin	2W,3000K,12VAC/DC,SMD



Description		
MR16	7W,CREECOB,GU5.3,40°,3000K,12V	UL Listed & Energy Star
MR16	7W,AC/DC,12V,60Hz,7W,600mA,2700K-40°-DIM	UL Listed & Energy Star
MR16	6.5W,CREE XBD,3000K,12VAC/DC,60°	
MR16	5W,CREE,GU5.3,12V,3000K,60°	UL Listed & Energy Star
MR16	3.6W,CREE XBD,3000K,12VAC/DC,60°	



Description	
PAR36	10W,CREE XBD,3000K,12/24VAC/DC,60°
PAR36	13W,CREE XBD,3000K,12/24VAC/DC,60°
PAR36	17W,CREE XBD,3000K,12/24VAC/DC,60°